

W2000W

Digital Projector



Features

- Rec. 709 HDTV Standard for Finest Cinematic Color
- Vertical Lens Shift for Extra Installation Freedom
- Side Projection with 2D Keystone
- Two Enhanced Chamber Speakers (Powered by MaxxAudio) with Audio Enhancer
- Ultra-Modern Design & Low Acoustic Noise of 27dBA
- Bundled WDP02 Wireless Full HD Kit



CinematicColor

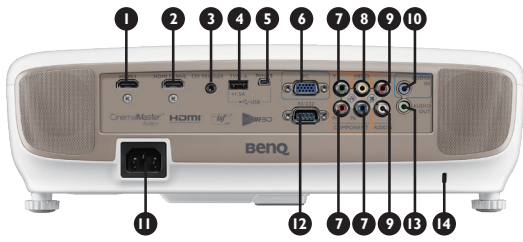
CinemaMaster Audio+



Product Specifications

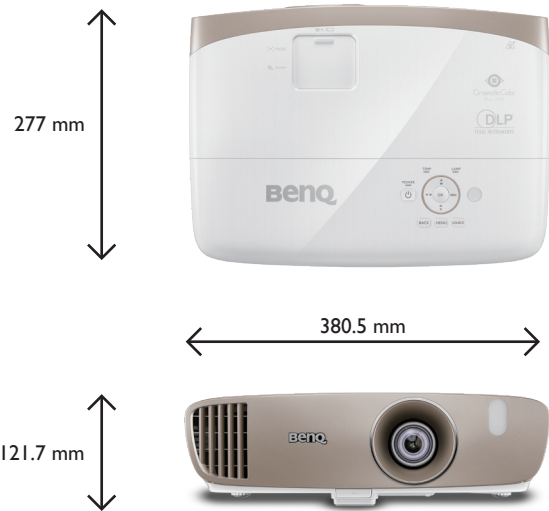
Projection System	DLP			
Native Resolution	1080p (1920 x 1080)			
Brightness	2,000 ANSI Lumens			
Contrast Ratio	15,000 : 1			
Display Color	1.07 Billion Colors			
Lens	F = 2.59 - 2.87, f = 16.88 - 21.88 mm			
Aspect Ratio	Native 16 : 9 (5 aspect ratios selectable)			
Throw Ratio	1.15 - 1.5 (100" @ 2.5m)			
Image Size (Clear Focus / Maximum)	60"~180" / 300"			
Zoom Ratio	1.3 : 1			
Lamp Type	240W			
Lamp Mode (Normal / Eco / SmartEco)	3,500 / 5,000 / 6,000 hours			
Keystone Adjustment	Auto Vertical & Manual Horizontal ± 30 degrees			
Projection Offset	105% ± 2.5%			
Lens Shift	Vertical +10%			
Resolution Support	VGA (640 x 480) to WUXGA_RB (1920 x 1200) *RB = Reduced Blanking			
Horizontal Frequency	15 - 102KHz			
Vertical Scan Rate	23 - 120Hz			
Color Wheel Segment	6-Segment (RGBRGB)			
Color Wheel Speed	6x (50Hz), 4x (60Hz)			
Compatibility	HDTV Compatibility	480i, 480p, 576i, 567p, 720p, 1080i, 1080p		
	Video Compatibility	NTSC, PAL, SECAM, SDTV		
	3D Compatibility	Frame Sequential: Up to 720p Frame Packing: Up to 1080p Side by Side: Up to 1080i/p Top Bottom: Up to 1080p		
	Picture Modes	** ISF Disabled: Bright / Vivid / Cinema (Rec. 709) / Game / User 1 / User 2 / (3D) *** ISF Enabled: Bright / Vivid / Cinema (Rec. 709) / Game / User 1 / User 2 / ISF Night / ISF Day / (3D)		
Interface	PC (D-Sub)	x 1	Chamber Speaker	x 2 10W
	Composite Video Input	x 1	USB (Type A)	x 1 (5V / 1.5A power supply)
	Component Video Input	x 1	USB (Type mini B)	x 1 (Service)
	HDMI	x 3	RS232	x 1
	MHL	x 2 (Share with HDMI-2 & HDMI-3)	DC 12V Trigger	x 1
	Audio Input	x 1	IR Receiver	x 2 (Front & Top)
	Audio L / R Input	x 1	USB (Type B)	x 1 (Inside projector for WDP02 power supply)
	Audio Output	x 1		
Noise Level (Normal / Economic Mode)	29 / 27 dBA			
Power Supply	AC100 to 240V, 50 to 60 Hz			
Dimensions	380.5 x 121.7 x 277 mm			
Product Weight	3.6 kg			
Accessories	Standard	Optional		
	Lens Cover	Spare Lamp Kit		
	Remote Control with Battery	Ceiling Mount		
	Power Cord (by region)	Carry Bag		
	User Manual CD	DLP 3D Glasses		
	Quick Start Guide			
	Warranty Card			
	WDP02 Wireless FHD Kit			
On Screen Display Language	Arabic / Bulgarian / Croatian / Czech / Danish / Dutch / English / Finnish / French / German / Greek / Hindi / Hungarian / Italian / Indonesian / Japanese / Korean / Norwegian / Polish / Portuguese / Romanian / Russian / Simplified Chinese / Spanish / Swedish / Turkish / Thai / Traditional Chinese (28 Languages)			

Input and Output Terminals



- 1 HDMI input port
- 2 MHL / HDMI dual mode port
- 3 12VDC output terminal
- 4 USB Type-A port
- 5 USB Mini-B port
- 6 RGB (PC)/Component video (YPbPr/YCbCr) signal input jack
- 7 Component Video inputs (RCA)
- 8 Video input jack
- 9 Audio (L/R) input jacks
- 10 Audio input jack
- 11 AC Power cable inlet
- 12 RS-232 control port
- 13 Audio output jack
- 14 Kensington lock slot

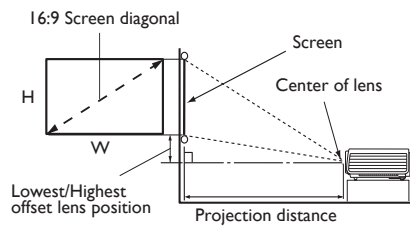
Dimensions



Distance Chart

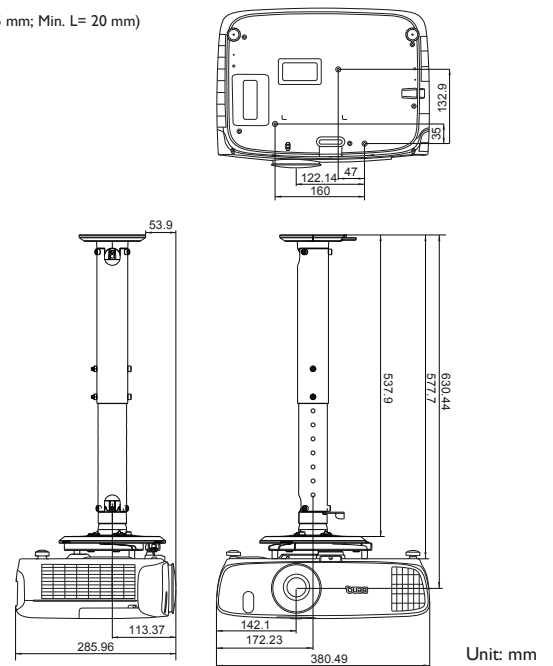
• The screen aspect ratio is 16:9 and the projected picture is in a 16:9 aspect ratio

Screen size				Distance from screen (mm)			Lowest/Highest offset Lens position (mm)	
Diagonal		H (mm)	W (mm)	Min distance (max. zoom)	Average	Max distance (min. zoom)	min.	max.
inch	mm							
60	1524	747	1328	1519	1747	1975	37	112
70	1778	872	1550	1772	2038	2304	44	131
80	2032	996	1771	2025	2329	2633	50	149
90	2286	1121	1992	2278	2620	2962	56	168
100	2540	1245	2214	2532	2911	3291	62	187
110	2794	1370	2435	2785	3203	3620	68	205
120	3048	1494	2657	3038	3494	3949	75	224
130	3302	1619	2878	3291	3785	4278	81	243
140	3556	1743	3099	3544	4076	4608	87	262
150	3810	1868	3321	3797	4367	4937	93	280
160	4064	1992	3542	4051	4658	5266	100	299
170	4318	2117	3763	4304	4949	5595	106	318
180	4572	2241	3985	4557	5241	5924	112	336



Ceiling Mount Chart

© Ceiling mount screws: M4
(Max. L = 25 mm; Min. L = 20 mm)



BenQ Europe B.V.

Meerenakkerweg 1-17
5652 AR Eindhoven
The Netherlands
Tel: +31 88 8889200
Fax: +31 88 8889299

BenQ.eu

© 2018 BenQ Corp. Specification may vary by region, please visit your local stores for details.
Actual product's features and specifications are subject to change without notice.
This material may include corporate names and trademarks of third parties which are the properties of the third parties respectively.

BenQ